

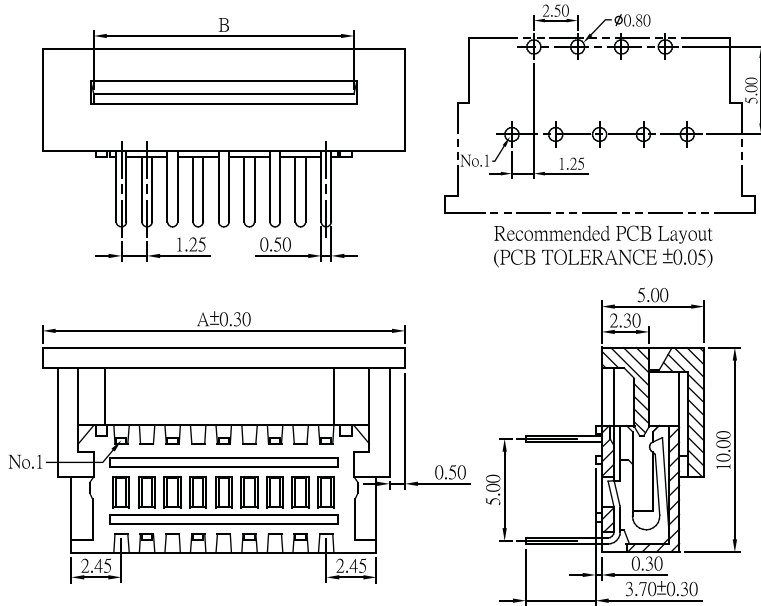
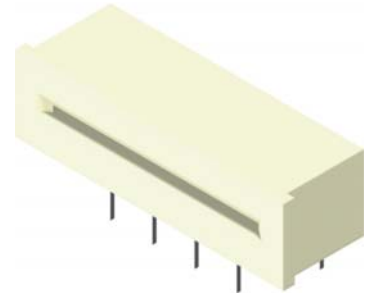
FPC/FFC 1.25mm ZIF Dip Type Side Entry

Specifications

Current Rate:1.0 AMP
 Insulation Resistance:500MΩ Min.
 Contact Resistance:20mΩ Max.
 Dielectric Voltage:250V AC for one minute
 Operation Temperature:-20°C to +85°C

Material

Insulator:Polyester,UL 94V-0
 ©Standard:PBT
 Terminal:Copper Alloy
 Plated:Tin Plated



No. of Contacts	Dimensions		No. of Contacts	Dimensions	
	A	B		A	B
03	9.55	5.20	18	28.30	23.95
04	10.80	6.45	19	29.55	25.20
05	12.05	7.70	20	30.80	26.45
06	13.30	8.95	21	32.05	27.70
07	14.55	10.20	22	33.30	28.95
08	15.80	11.45	23	34.55	30.20
09	17.05	12.70	24	35.80	31.45
10	18.30	13.95	25	37.05	32.70
11	19.55	15.20	26	38.30	33.95
12	20.80	16.45	27	39.55	35.20
13	22.05	17.70	28	40.80	36.45
14	23.30	18.95	29	42.05	37.70
15	24.55	20.20	30	43.30	38.95
16	25.80	21.45	----	----	----
17	27.05	22.70	----	----	----

Part No.:FPC2AR-XX-L

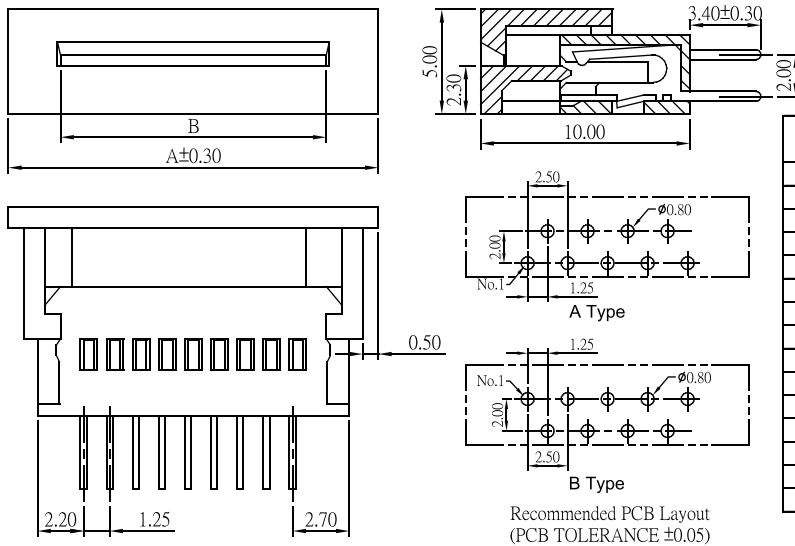
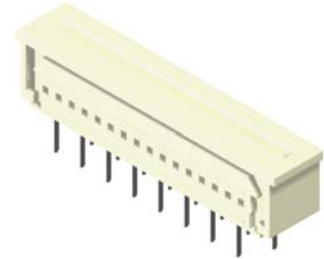
Fpc/FFC 1.25mm ZIF Dip Type Top Entry

Specifications

Current Rate:1.0 AMP
 Insulation Resistance:500MΩ Min.
 Contact Resistance:20mΩ Max.
 Dielectric Voltage:250V AC for one minute
 Operation Temperature:-20°C to +85°C

Material

Insulator:Polyester,UL 94V-0
 ©Standard:PBT
 Terminal:Copper Alloy
 Plated:Tin Plated



No. of Contacts	Dimensions		No. of Contacts	Dimensions	
	A	B		A	B
03	9.55	5.20	18	28.30	23.95
04	10.80	6.45	19	29.55	25.20
05	12.05	7.70	20	30.80	26.45
06	13.30	8.95	21	32.05	27.70
07	14.55	10.20	22	33.30	28.95
08	15.80	11.45	23	34.55	30.20
09	17.05	12.70	24	35.80	31.45
10	18.30	13.95	25	37.05	32.70
11	19.55	15.20	26	38.30	33.95
12	20.80	16.45	27	39.55	35.20
13	22.05	17.70	28	40.80	36.45
14	23.30	18.95	29	42.05	37.70
15	24.55	20.20	30	43.30	38.95
16	25.80	21.45	----	----	----
17	27.05	22.70	----	----	----

Part No.:FPC2AS-XX-L

ORDER INFORMATION

